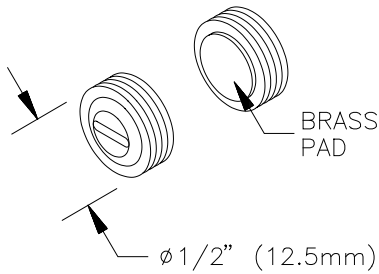


## MOTOR BRUSH CAP INFORMATION

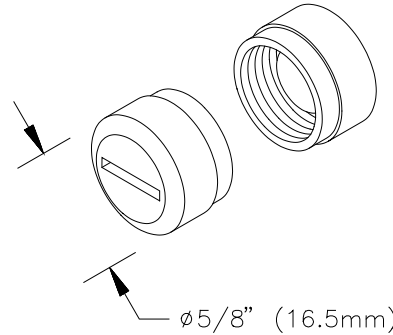
Products No. E102, E103, E104, E108, E109, E111

E102 CAPS LARGE BRUSH EXT PKG-2 (E583)



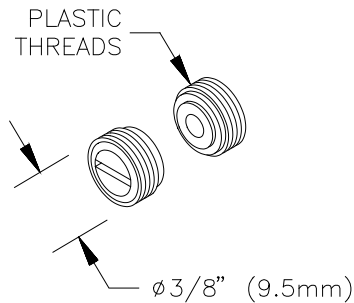
For Bodine large brush motors manufactured after 1994.

E111 CAPS LARGE BRUSH INT PKG-2 (E581)



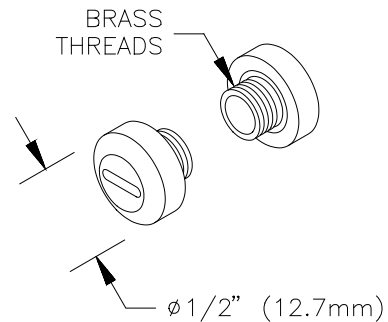
For Bodine large brush motors manufactured between 1987 & 1995.

E104 CAPS BODINE SM BRUSH PLA PKG-2 (E582)



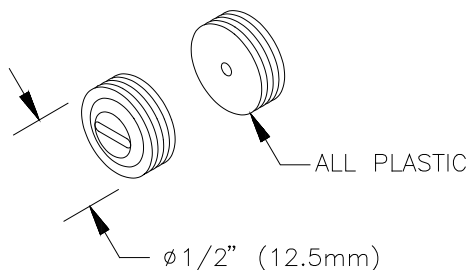
For Bodine small brush motors manufactured after 1990.

E109 CAPS BODINE SM BRUSH BRS PKG-2 (E598)



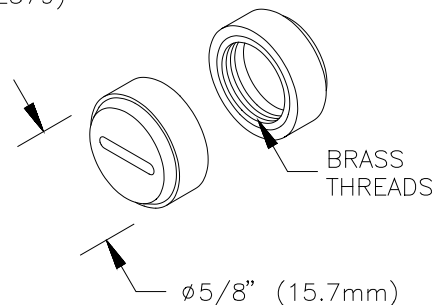
For Bodine small brush motors manufactured before 1991.

E108 CAPS WSM BRUSH PLASTIC PKG-2 (E580)



For WSM motors manufactured before 1983.

E103 CAPS MSL PKG-2 (E579)



For MSL or Howard Industry motors manufactured before 1975.