

INSTALLATION INSTRUCTIONS COLLET SHIELD RH Product No. Q104

1.0 OVERVIEW

The non-rotating collet shield covers the collet to provide a steady rest for more comfortable operation of your WELLS Super Quick Chuck. It also helps protect rubber gloves. Removal is easy for cleaning around the collet. Q104 COLLET SHIELD RH (right hand) fits model Q015 WELLS SUPER QUICK CHUCK (right hand with knurled dust cover). See figure 1. If there is no knurled dust cover, the collet shield cannot be installed.

2.0 INSTALLATION

- 2.1 Remove the knurled dust cover by rotating **CLOCKWISE**. See Figure 2. It has **left-hand threads**.
- 2.2 Clean around the collet, collet body and threads with a small brush or rag. See Figure 3.
- 2.3 Screw the collet shield onto the threads rotating **COUNTERCLOCKWISE**. See Figure 4. Tighten firmly by hand.

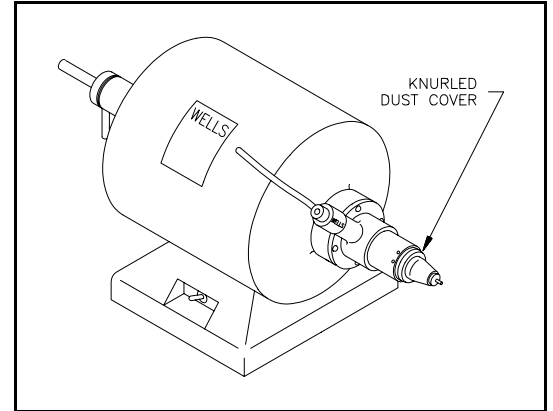


Figure 1

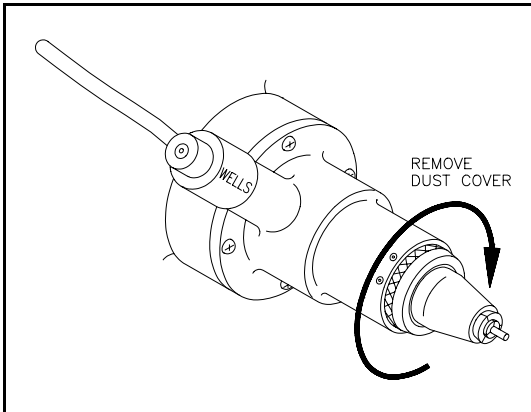


Figure 2

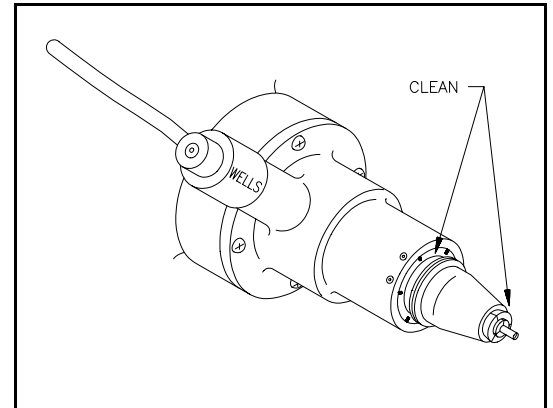


Figure 3

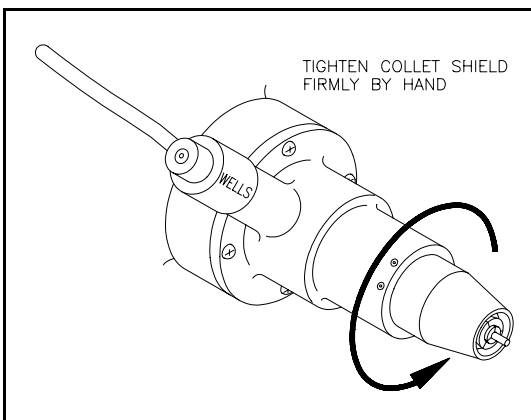


Figure 4

3.0 MAINTENANCE

The collet shield should be removed periodically so accumulated material can be removed from around the collet, collet body and threads.

- 3.1 Remove the collet shield by rotating **CLOCKWISE**. Be sure to rotate in the correct direction. It has **left-hand threads**.
- 3.2 Clean around the collet, collet body and threads with a small brush or rag.
- 3.3 Screw the collet shield onto the threads by rotating **COUNTERCLOCKWISE**. See Figure 4. Tighten firmly by hand.